

D SERIES FILTER CART



Simple & Powerful!

The D Series Filter Cart is our signature filter cart and is an excellent choice for “off-line” filtration in a wide variety of settings. Extremely mobile and lightweight, this filter cart has all the power needed for filtering oil viscosities up to 600cSt (ISO VG 680). This filter cart is completely customizable to fit all of your needs.

Typical Applications:

- Filtering contaminated systems
- Flushing new or repaired systems
- Pre-filtering new oil
- Transferring oils
- Topping off reservoirs
- Collecting oil samples for analysis
- Dispensing new oil

ForFluids.com

D SERIES FILTER CART

Don't see the options you need?
Contact For Fluids at 1(630) 922-5020
for more information.

Performance:

For filtering mineral and synthetic based oils (hydraulic oils, gear oils and turbine oils) with a maximum operating viscosity range of ISO VG 680 (3000ssu/648cSt) at 100 °F within ambient temperature ranges of -15 °F to 150 °F.

Standard Features:

Frame:	Carbon steel with drip pan; flat free tires
Paint:	Multiple color options available
Motor:	1HP, 115vac, 60Hz or Pneumatic
Filter Heads:	Medium pressure, cast aluminum heads
Pump:	Heavy duty, cast steel gear pump. Available in 1, 2, 5 and 10 GPM
Connections:	Various quick connect options available
Hoses:	7ft. Clear PVC, steel reinforced hose or hydraulic hose
Power Switch:	Sealed on/off power switch
Cord Reel:	40ft. retractable electric cord reel
Filter Indicators:	Slide bar indicators trigger at 50psid when elements need to be changed
Pump Relief:	Opens at 150psi
Weight:	Approx. 125lbs (will vary depending on options)
Dimensions:	Approx. 23"L x 22"W x 52"H

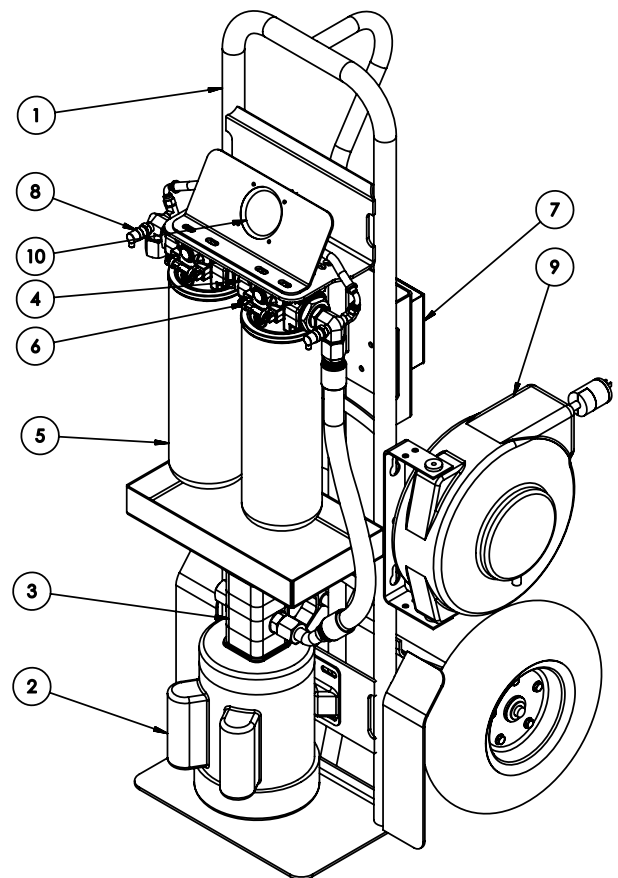
Replacement Elements:

Part Number	BETA Rating	Desired Cleanliness Level (ISO Code)
P1066	β4(c)=2000	14/12/9 - 13/11/8
P1065	β7(c)=2000	18/16/13 - 15/13/10
P1063	β10(c)=1000	19/17/14 - 18/16/13
P1064	β25(c)=2000	20/18/15 - 19/17/14
P1048WR	Water Removal	

All D Series elements measure 5" x 14".

Components:

Item Number	Description	Qty.
1	Frame	1
2	Motor	1
3	Pump	1
4	Filter Head	2
5	Filter Element	2
6	Filter Indicator	2
7	Switch On/Off	1
8	Sample Port	2
9	Cord Reel	1
10	Differential Gauge	1



ForFluids.com

5365 Walnut Ave Downers Grove, IL 60515 | 630-922-5020 | ForFluids.com